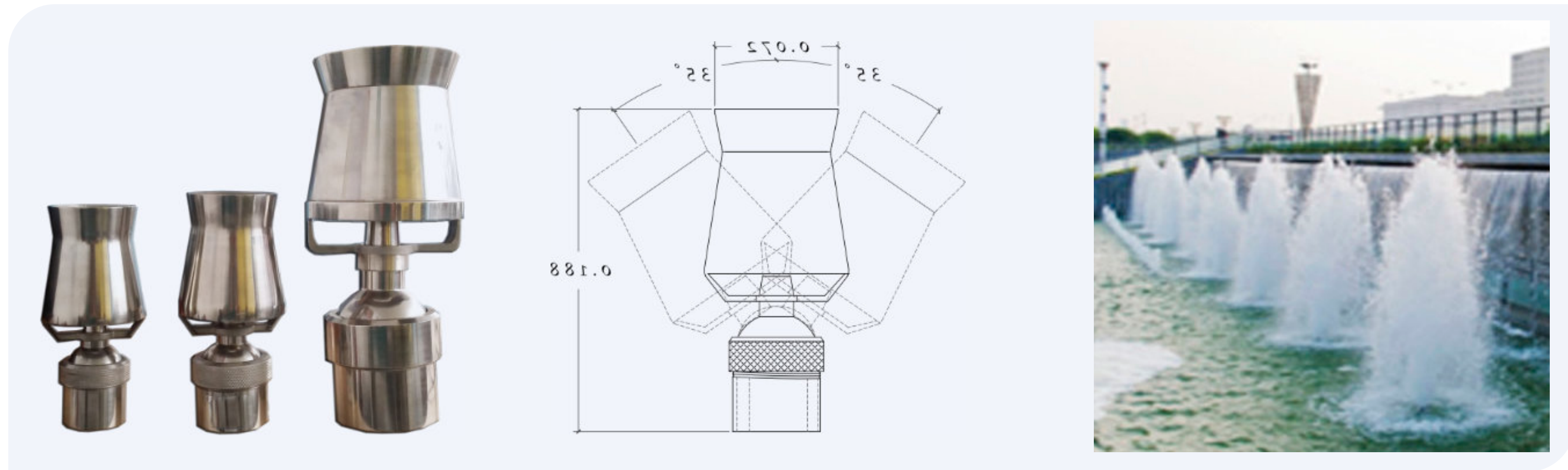


Caspi SKU: BC075

Boquilla para fuente efecto pino, fabricado en acero inoxidable.



Modelo	Conexión	Altura (m)	0.6	1	1.3	1.5	2	2.5	3	3.7	4.5	6.1	7.7	9.2
Caspi 075	3/4"	Head (M) Spread (M)	6.50 26	7 28	9.8 44	13.5 61	15.6 77	21.1 87						
Caspi 100	1"	LPM Head (M) Spread (M)	61 3.7 23	79 5.5 31	87 7.1 46	98 8.6 61	110 11.3 72	129 15.3 74	144 17.7 92	151 19.9 102				
Caspi 150	1 1/2"	LPM Head (M) Spread (M)	87 3.4 26	110 4.3 39	121 5.5 49	136 7 61	159 9.8 77	170 11.3 82	185 14 92	201 15.3 94	220 18.9 102			
Caspi 200	2"	LPM Head (M) Spread (M)			159 4.3 39	178 5.8 51	189 7.4 51	231 10.1 92	254 12.2 102	269 13.2 110	284 15 127	348 22 140		
Caspi 300	3"	LPM Head (M) Spread (M)				333 7.4 61	341 8 61	352 10.7 67	424 12.9 107	439 15 122	545 19.3 153	628 24.1 154	708 31.7 214	776 25.4 244